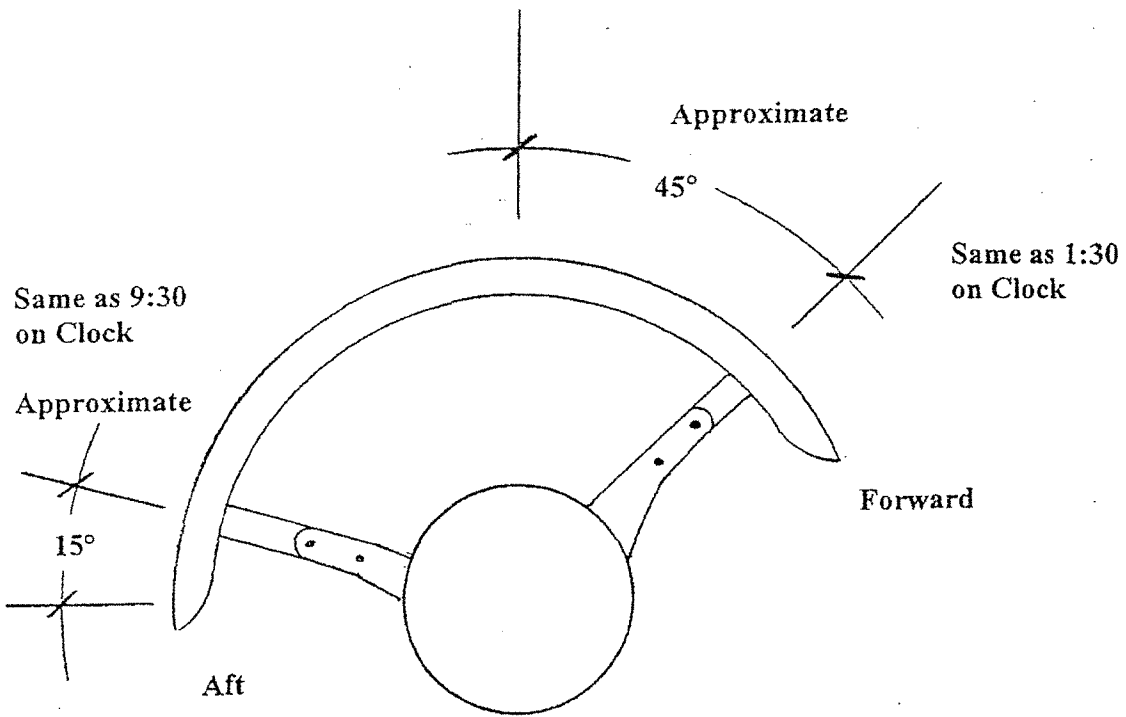




Recommended Placement of Brackets and Fenders for Correct Installation



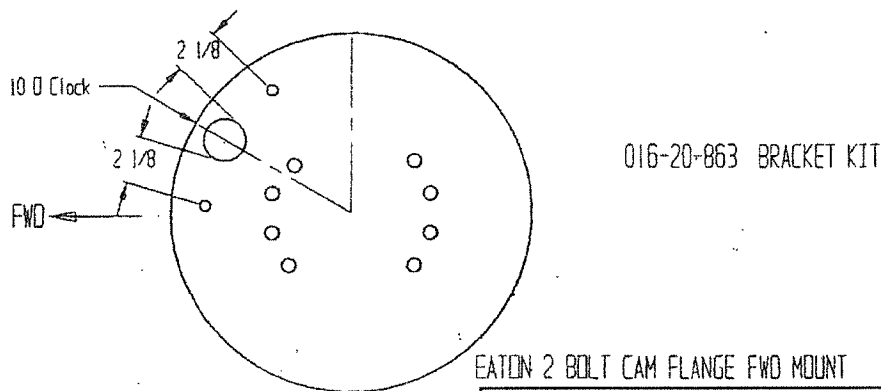
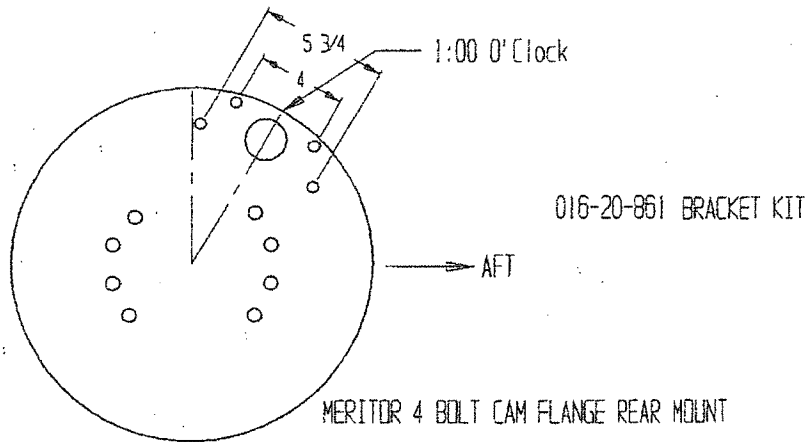
Hendrickson SCT10 Lift Axles use
 016-20-849 w/8.25 x 22.5 Wheel
 016-20-850 w/6.25 x 19.5 Wheel
 016-20-851 w/6.75 x 17.5 Wheel



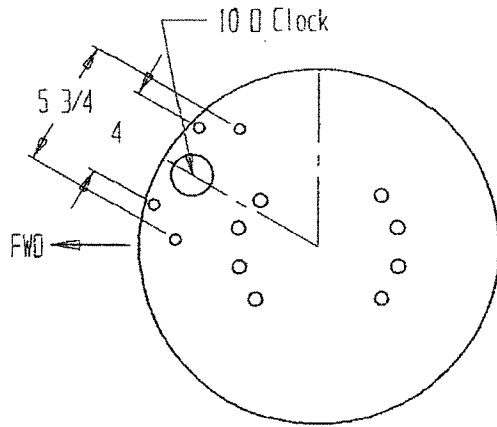
016-20-849 BRACKET KIT
 Hendrickson FBC 10K w/ 8.25 x 22.5
 Wheel
 016-20-850 BRACKET KIT
 Hendrickson FBC 10K
 w/ 6.75 x 19.5 Wheel

016-20-351 Bracket Kit
 Watson-Chalin SE-0851TT Tru-Track Super Lite
 8,000# Capacity Self Steering Axle
 With 215/75 R17.5 Tires
Link Duralift II 8K & 10K.

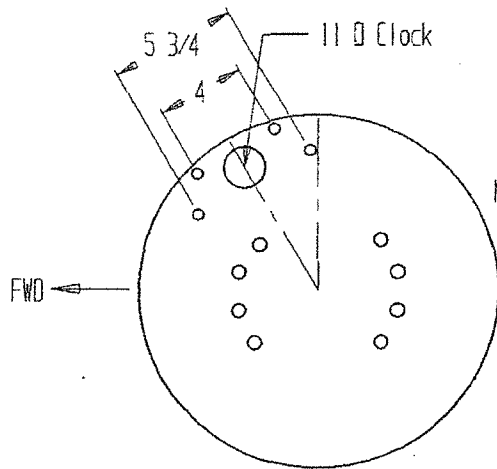
016-20-851 Bracket Kit
 Hendrickson FBC
 8K ~~10K~~ Self Steering Axle
 with 6.75 x 17.5 ~~6.75 x 19.5~~ Wheel Size



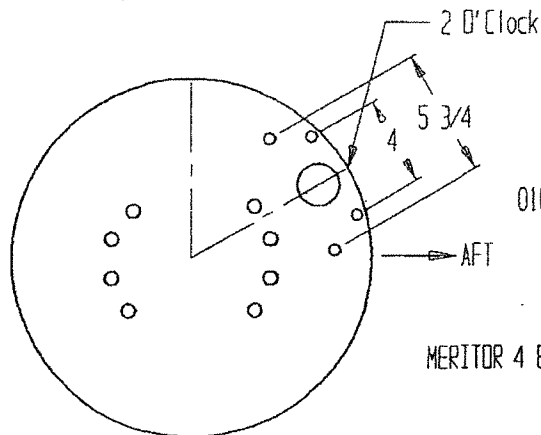
Watson-Chalin, Forged I-Beam
or Link Model #'s 490, 712 & 715



MERITOR 4 BOLT CAM FLANGE FWD MOUNT
016-20-865 BRACKET KIT

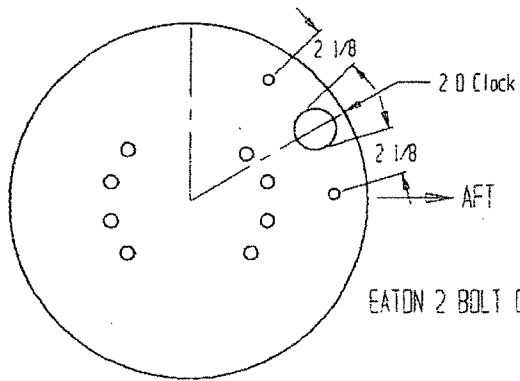


MERITOR 4 BOLT CAM FLANGE TOP FWD MOUNT
016-20-867 BRACKET KIT



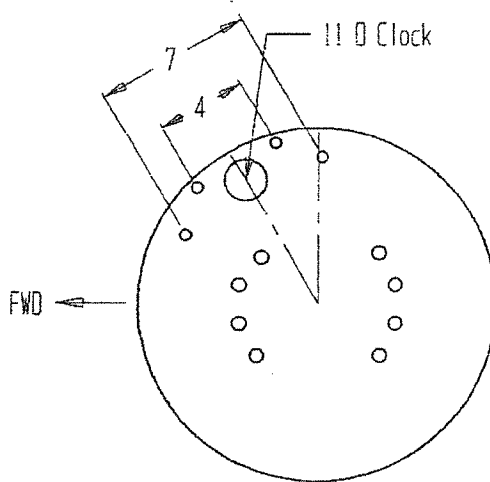
016-20-367 BRACKET KIT

MERITOR 4 BOLT CAM FLANGE REAR MOUNT



016-20-868 BRACKET KIT

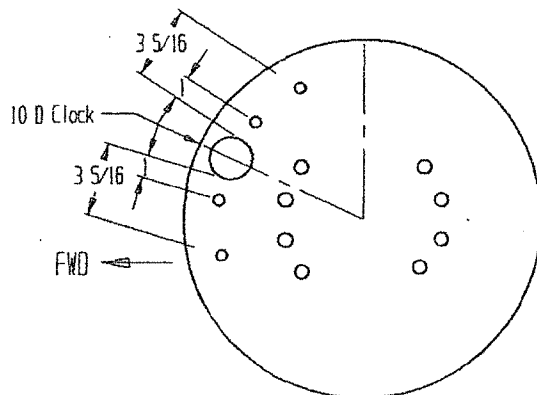
EATON 2 BOLT CAM FLANGE REAR MOUNT



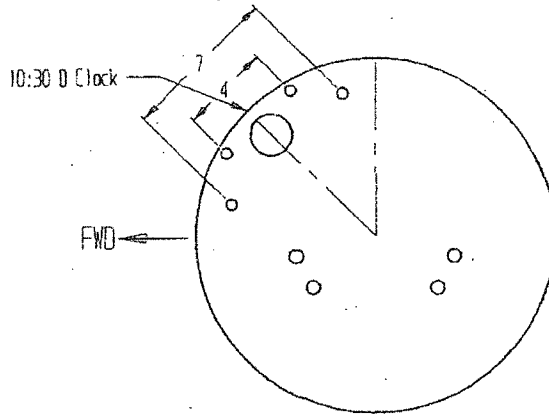
EATON 4 BOLT CAM FLANGE TOP FWD MOUNT

016-20-857 BRACKET KIT

PETERBILT / WATSON CHALIN



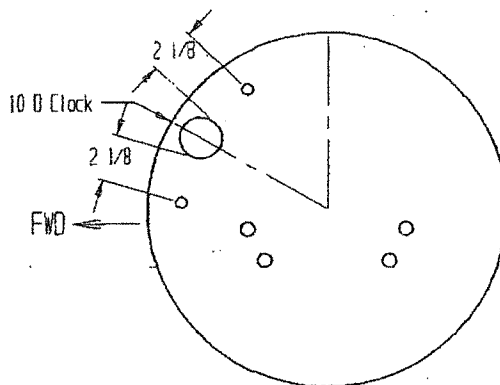
ROCKWELL 15" "B" SERIES
016-20-863 BRACKET KIT



016-20-8557 BRACKET KIT

EATON 4 BOLT CAM
TUBE FLANGE

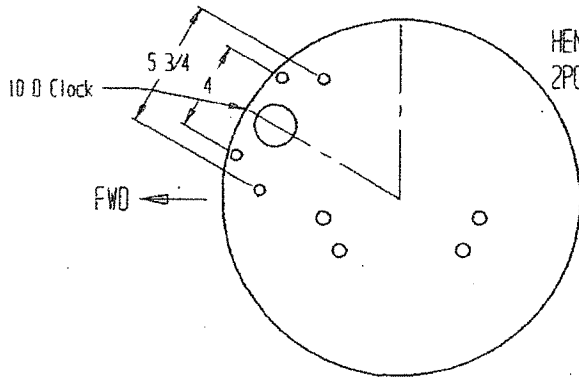
PETERBILT W/HENDRICKSON HLUS, HLUC OR HLUR
2PC SPINDLE W/EATON FWD CAM



016-20-8569 BRACKET KIT

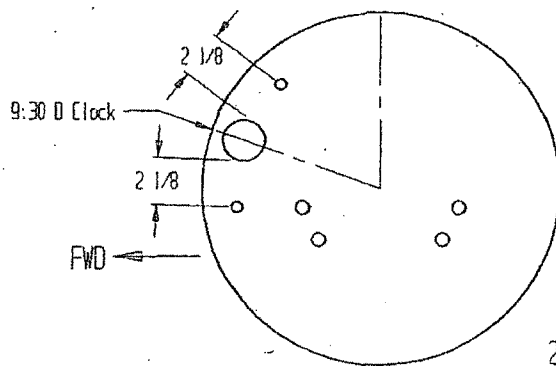
EATON 2 BOLT CAM
TUBE FLANGE

PETERBILT W/HENDRICKSON HLUS, HLUC OR HLUR
2PC SPINDLE W/EATON FWD CAM



HENDRICKSON HLUS, HLUC OR HLUR
2PC SPINDLE W/MERITOR FWD CAM

016-20-8562 BRACKET KIT



016-20-8558 BRACKET KIT

KENWORTH W/HENDRICKSON
HLUS, HLUC OR HLUR
2PC SPINDLE W/EATON FWD CAM

Hendrickson SCT10 Lift Axles use
016-20-849 w/8.25 x 22.5 Wheel
016-20-850 w/6.25 x 19.5 Wheel
016-20-851 w/6.75 x 17.5 Wheel

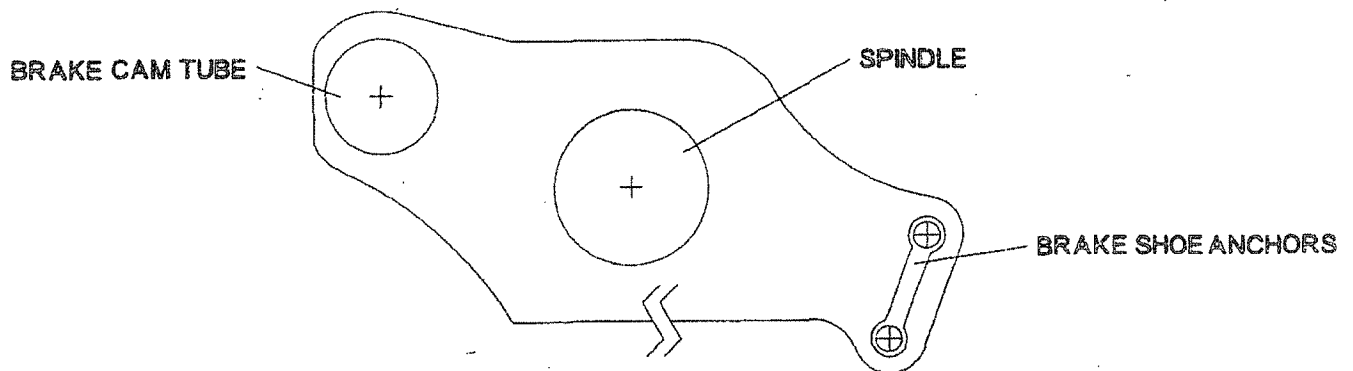
Use this kit for the Watson/Chalin
SL1195 with the S-Cam tube welded on.

Hendrickson SCT20 use
016-20-4645 BRACKET KIT

NEW BRACKET KIT

PEDERSON BRACKET KIT # 016-20-845

HENDRICKSON MODEL " SCT13 or STT13 "

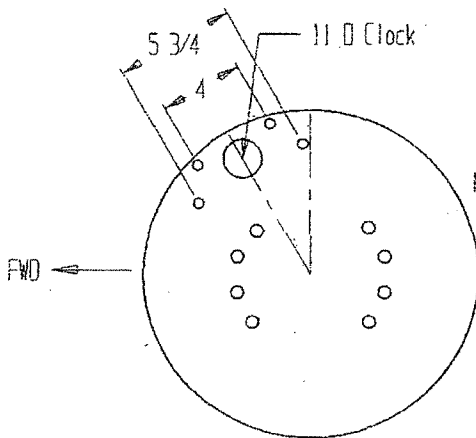


LEFT HAND (DRIVERS) SIDE DRAWN WITHOUT
WHEEL, TIRE, HUB, DRUM AND BRAKE SHOES



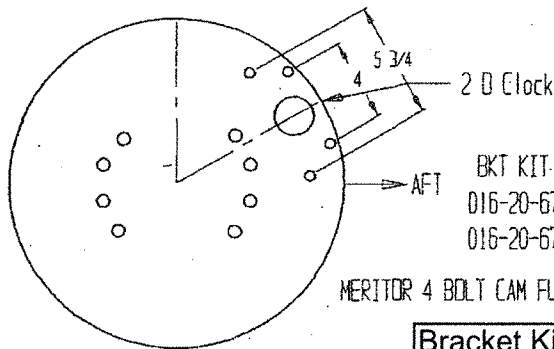
20,000# AXLE BRACKET KITS

3/4X2 ALUM ARMS STD WITH BRACKET KITS ON THIS PAGE



MERITOR 4 BOLT CAM FLANGE TOP FWD MOUNT

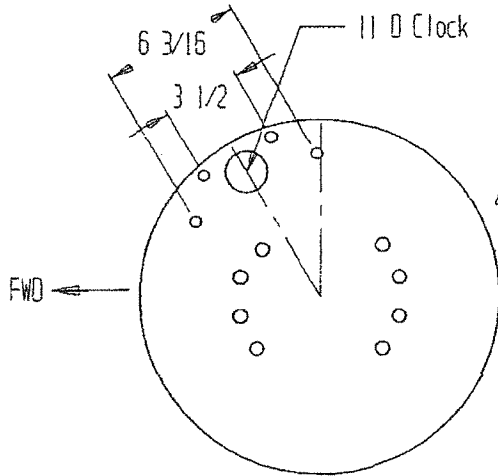
Bracket Kit#	Tire Size	Fender #
016-20-6783	315/80R22.5	016-22-7314-24
016-20-6783	385/65R22.5	016-22-7316-23
016-20-6784	425/65R22.5	016-22-7318-24
For Stainless Add SS to end of Fender #		



MERITOR 4 BOLT CAM FLANGE REAR MOUNT

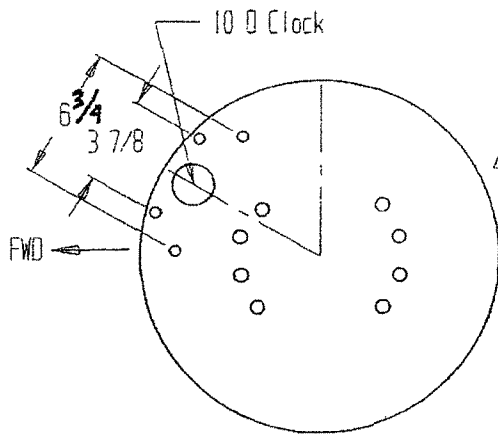
BKT KIT #	FOR TIRE SIZE
016-20-6783	385/65 R22.5
016-20-6784	425/65 R22.5

Bracket Kit#	Tire Size	Fender #
016-20-6783	315/80R22.5	016-22-7314-24
016-20-6783	385/65R22.5	016-22-7316-23
016-20-6784	425/65R22.5	016-22-7318-24
For Stainless Add SS to end of Fender #		

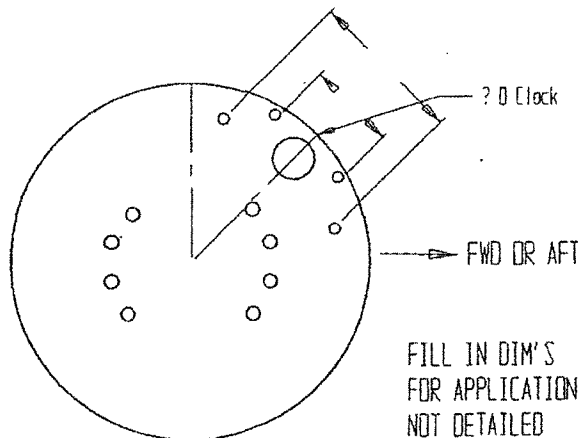


Link 13.5K Model # 0000000723
4 BOLT CAM FLANGE TOP FWD MOUNT
016-20-856 BRACKET KIT
For Watson/Chalin Use Kit #
016-20-856

**For Hendrickson Lift Axles Use Kit #
016-20-8556 Uses 016-22-56B Frt.
Bracket.**



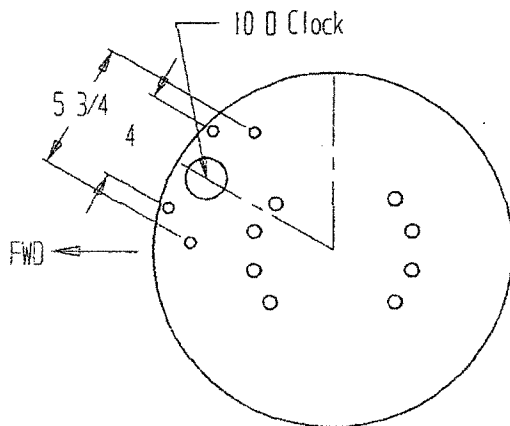
4 BOLT CAM FLANGE FWD MOUNT
016-20-864 BRACKET KIT





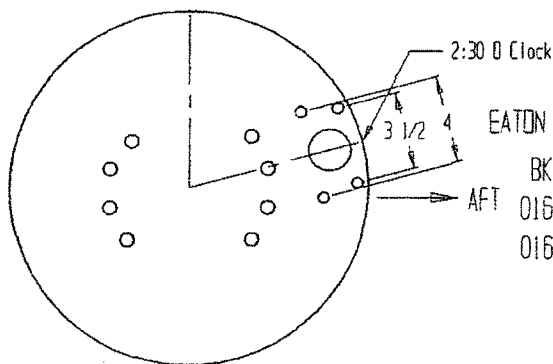
20,000# AXLE BRACKET KITS

3/4X2 ALUM ARMS STD WITH BRACKET KITS ON THIS PAGE



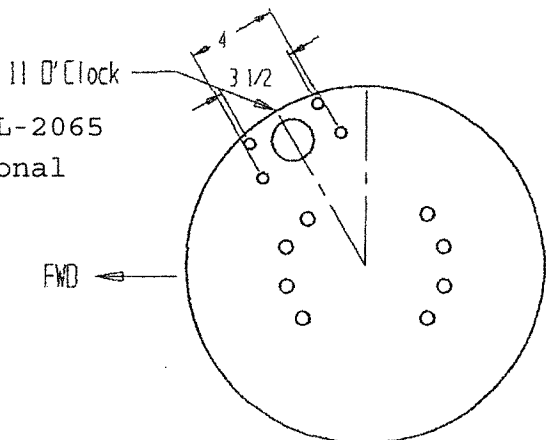
MERITOR 4 BOLT CAM FLANGE FWD MOUNT

Bracket Kit#	Tire Size	Fender #
016-20-6583	315/80R22.5	016-22-7314-24
016-20-6583	385/65R22.5	016-22-7316-23
016-20-6584	425/65R22.5	016-22-7318-24
For Stainless Add SS to end of Fender #		



EATON 4 BOLT REAR CAM FLANGE

BKT KIT #	FOR TIRE SIZE
016-20-6683	385/65 R22.5
016-20-6684	425/65 R22.5



FOR 13K Axles Use 016-20-866 or
016-20-866-5/8

EATON 4 BOLT FORWARD CAM FLANGE

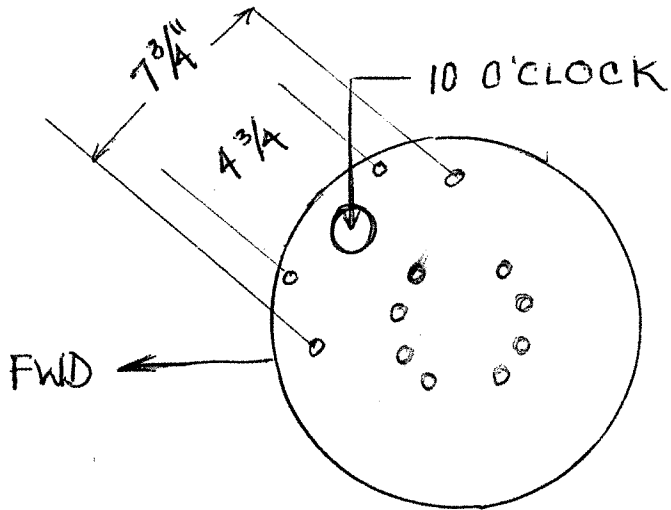
Bracket Kit#	Tire Size	Fender #
016-20-866HD	Alcoa Wheel#	89363, 89365, 82365 & 82362
016-20-6683	315/80R22.5	016-22-7314-24
016-20-6683	385/65R22.5	016-22-7316-23
016-20-6684	425/65R22.5	016-22-7318-24
For Stainless Add SS to end of Fender #		

Note: Watson SL-2065 requires additional spacers.



20,000# AXLE BRACKET KITS

3/4x3 ALLUM ARMS STD WITH BRACKET KITS ON THIS PAGE



860	60
860 HD	60 HD
	78 HD

SL2065

21

Pete Factory Install on
13K
at 11 o'clock