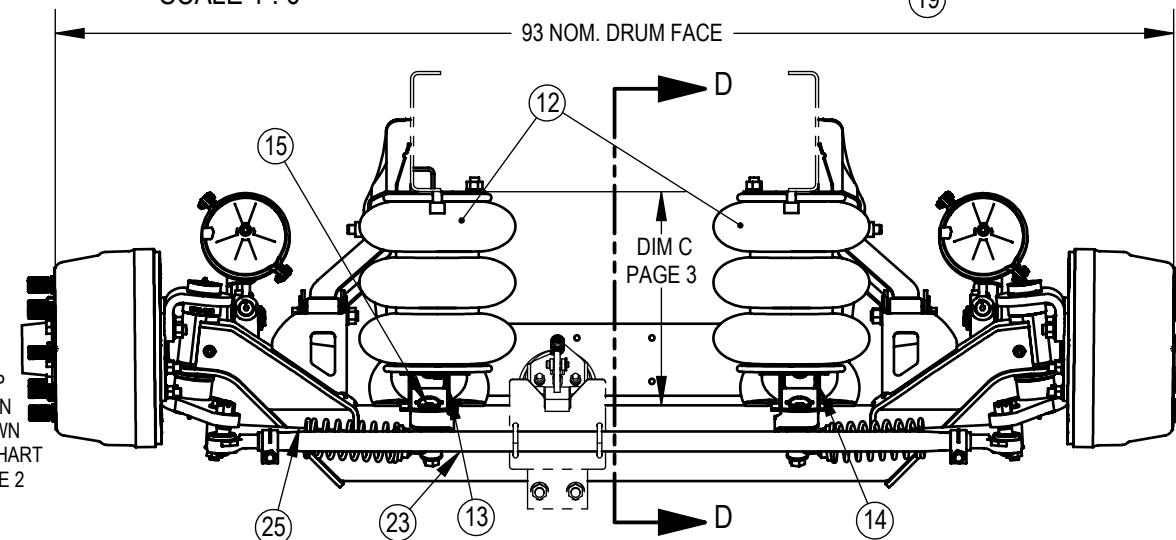
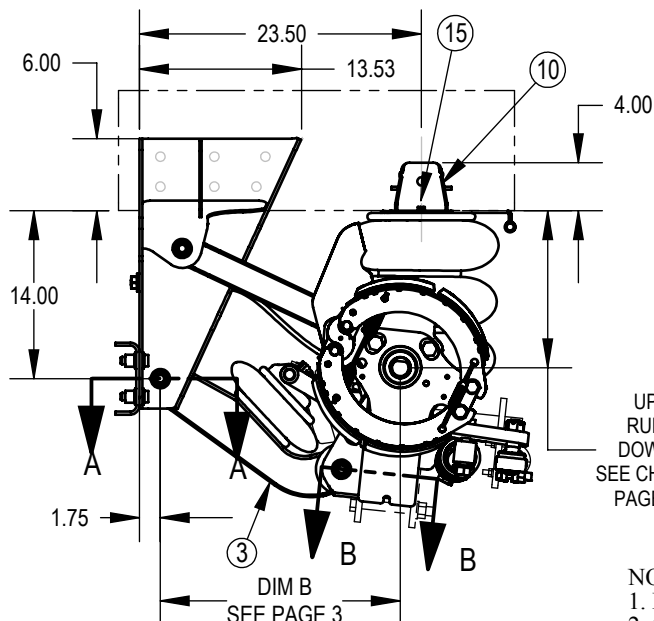
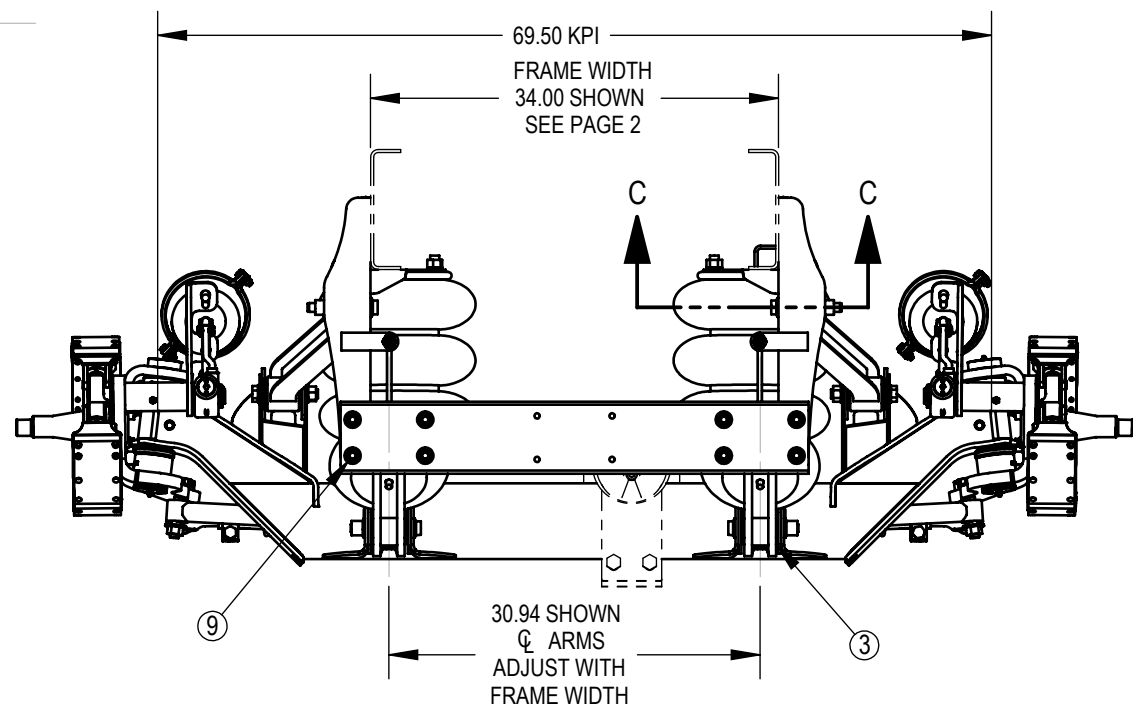
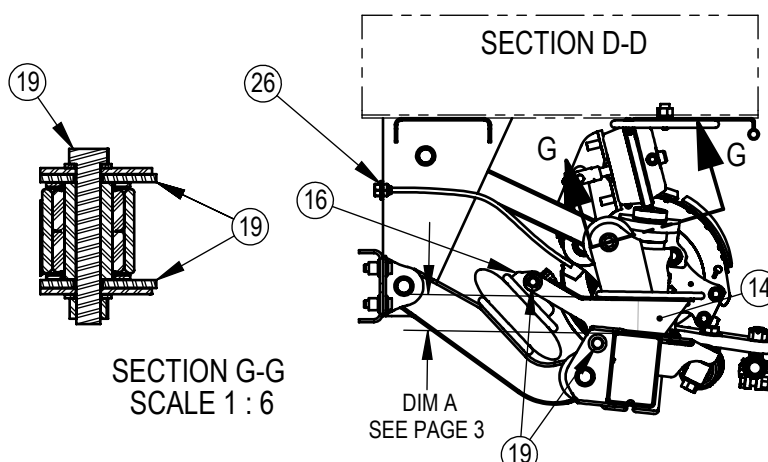
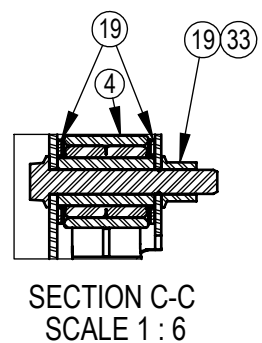
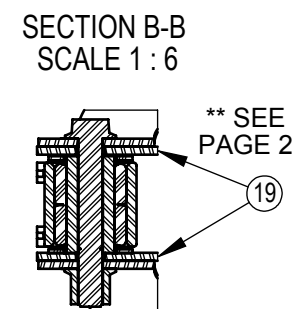
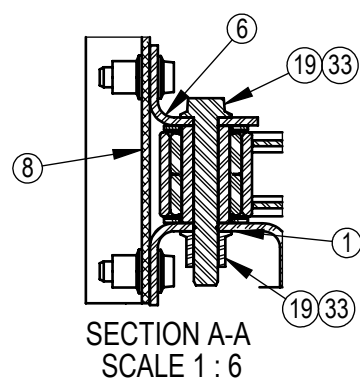
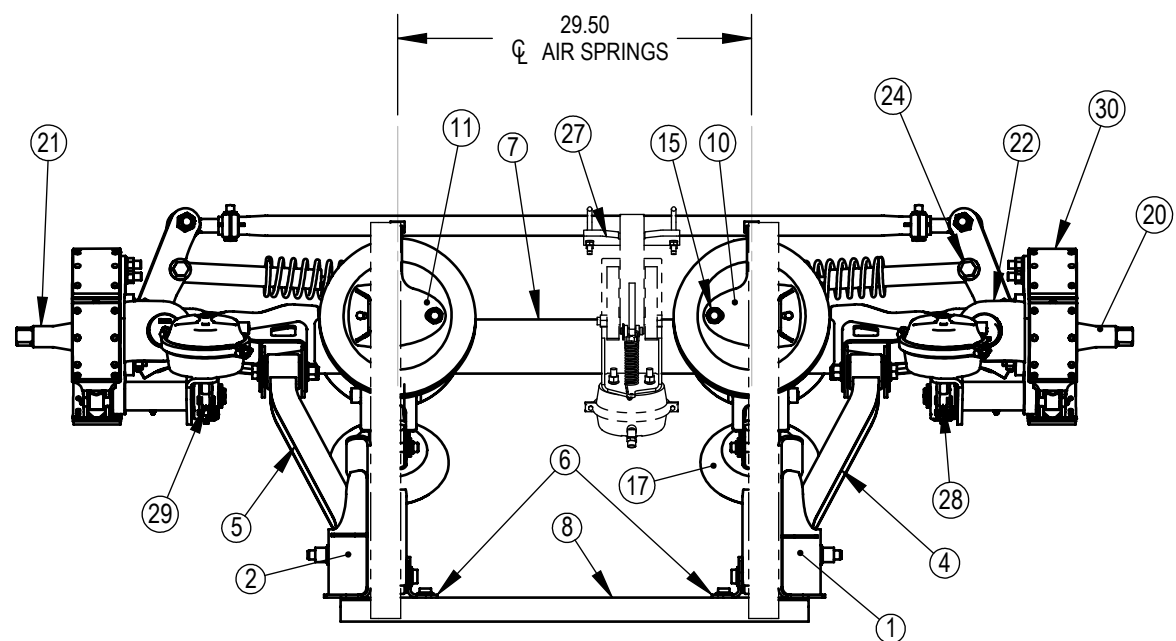


REV.	DESCRIPTION	ECN	DATE	BY
A	NEW DRAWING	8551	07/11/2012	HDH
B	SEPARATE KNUCKLE/BRAKE COMPONENTS; ADD LOCKOUT OPTION	850	10/17/2012	HDH
C	UPDATE DWG FORMAT; CHANGED ITEM NUMBERS 3,4,5,19,33 ON SHEET 3.	3676	5/21/2014	JS

ITEM NO.	QTY	PART NUMBER	DESCRIPTION	ITEM NO.	QTY	PART NUMBER	DESCRIPTION
1	1	CHART	HANGER ASSY L.H.	17	2	AS0058C	AIR SPRING (6897) LIFT
2	1	CHART	HANGER ASSY R.H.	18	1	HPLT16085	LIFT BAG HARDWARE PACK
3	2	CHART	ARM ASSY LOWER	19	1	CHART	PIVOT CONNECTION PACK
4	1	CHART	ARM ASSY UPPER	20	1	010562-1	BACKBONE ASSEMBLY L.H.
5	1	CHART	ARM ASSY UPPER	21	1	010562-2	BACKBONE ASSEMBLY R.H.
6	2	21908	ARM INNER PIVOT PLATE	22	2	009692	UPPER KINGPIN ASSEMBLY
7	1	CHART	AXLE ASSEMBLY	23	1	19093	TIE-ROD ASSEMBLY
8	1	CHART	CROSSMEMBER ALUMINUM	24	1	HPSS19613	STEER STABILIZER KIT SLO
9	1	CHART	HUCK PACK CRSMBR SL1190/	25	1	11418	SHOCK STEERING STABILIZER
10	1	950185-10	UPPER BAG PLATE ASSY. L.H.	26	2	CHART	LIFT BAG PLUMBING KIT
11	1	950185-20	UPPER BAG PLATE ASSY. R.H.	27	1	CHART	STEER LOCKOUT KIT
12	2	AS0048	AIR SPRING LOAD	28	1	007089-1	S-CAM 28-SPLINE LH
13	1	CHART	LOWER BAG PLATE L.H.	29	1	007089-2	S-CAM 28-SPLINE RH
14	1	CHART	LOWER BAG PLATE R.H.	30	1	OPTION	BRAKE SHOE KIT
15	1	HPLD11908	AIRSPRING HARDWARE PACK	31	2	HPKN13KF	KNUCKLE HRDW KIT 13KF
16	2	50193-01	LIFT BAG PLATE	32	2	HPBH13KF	BRAKE HARDWARE KIT
				33	1	CHART	PIVOT CONNECTION PACK (HUCK)



NOTE:  
 1. REFER TO "SL SERIES INSTALLATION AND OPERATION MANUAL."  
 2. CAPACITY 13,200# - ACHIEVED BY USE OF 22.5" X 8.25" WHEEL WITH OFFSET TOWARD INBOARD SIDE. USE OF OTHER WHEELS AND/OR MOUNTING WHEELS WITH OFFSET TO THE OUTSIDE IS NOT RECOMMENDED AND WILL SIGNIFICANTLY LOWER RATING.  
 3. SHOWN FOR REFERENCE ONLY. MINIMUM 6 EA. PER SIDE 3/4" GRADE 8 FASTENERS RESPONSIBILITY OF INSTALLER.

ALL WATSON AND CHALIN INTELLECTUAL PROPERTY & PROPRIETARY INFORMATION IS PROTECTED BY U.S. & INTERNATIONAL COPYRIGHT LAWS. ANY USE WITHOUT THE EXPRESS WRITTEN PERMISSION OF WATSON AND CHALIN IS PROHIBITED.	<b>SPECIAL CHARACTERISTICS SYMBOL LEGEND</b> >X.XX< W/C CRITICAL DIM (X.XX) FOR REFERENCE ONLY **X.XX DESIGNATES A ±.125 TOL. *X.XX DESIGNATES A KEY CUSTOMER CHARACTERISTIC	UNLESS OTHERWISE SPECIFIED DIM ARE IN INCHES TOL ON ANGLES ± 1.0° X.X ± .1 X.XX ± .06 X.XXX ± .030 INTERPRET DIM AND TOL PER ASME Y14.5-2009	THIRD ANGLE PROJECTION 	<b>SUSPENSION MODEL:</b> SL1195SSR	<b>PREVIOUS ASSY:</b> -	<b>SCALE:</b> 1:16	<b>WATSON AND CHALIN MANUFACTURING INC</b> 725 EAST UNIVERSITY DRIVE MCKINNEY TEXAS 75069	
				<b>DATE:</b> 7/11/2012	<b>DRAWN BY:</b> HDH	<b>SIZE:</b> B	<b>SHEET:</b> 1 OF 3	<b>TITLE:</b> SL1195SSR MAIN ASSEMBLY

4

3

2

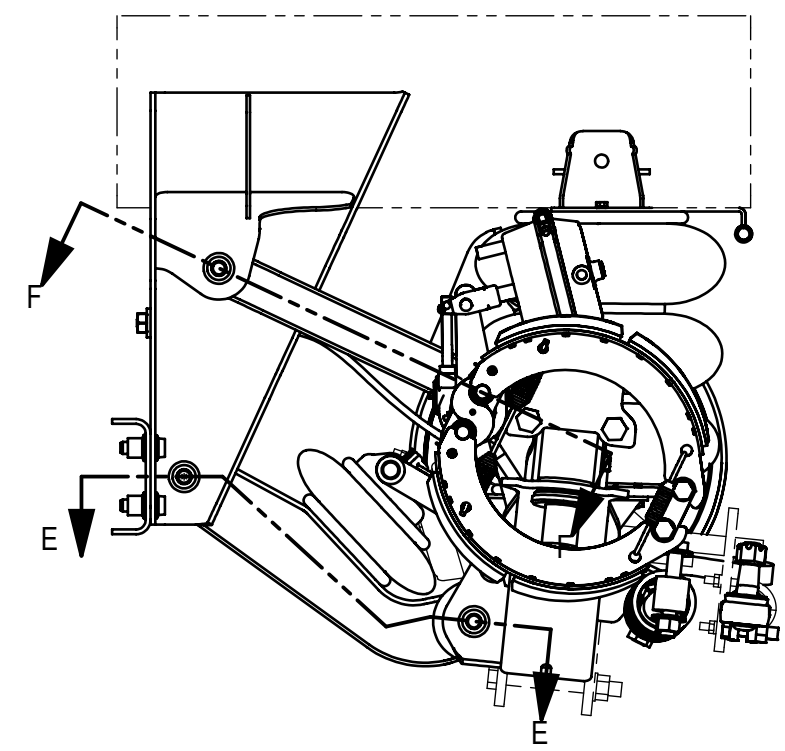
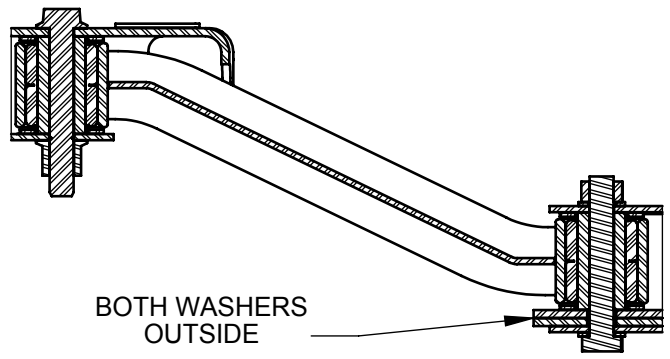
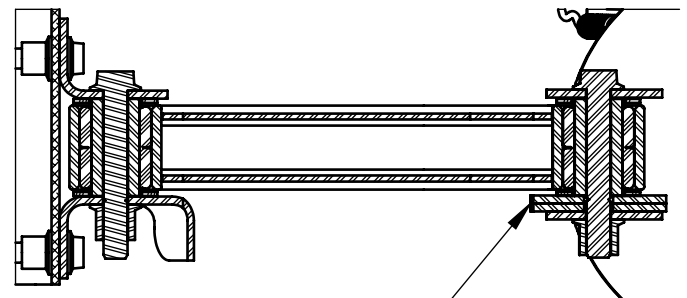
1

### SECTION E-E SCALE 1 : 6

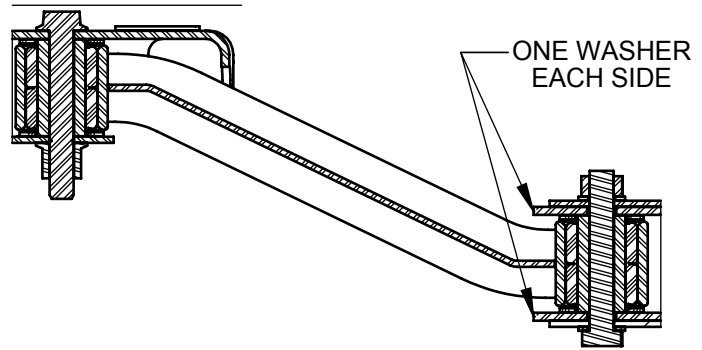
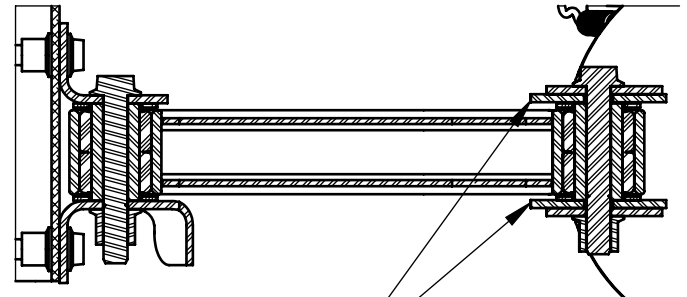
CENTER OF  
VEHICLE

### SECTION F-F SCALE 1 : 6

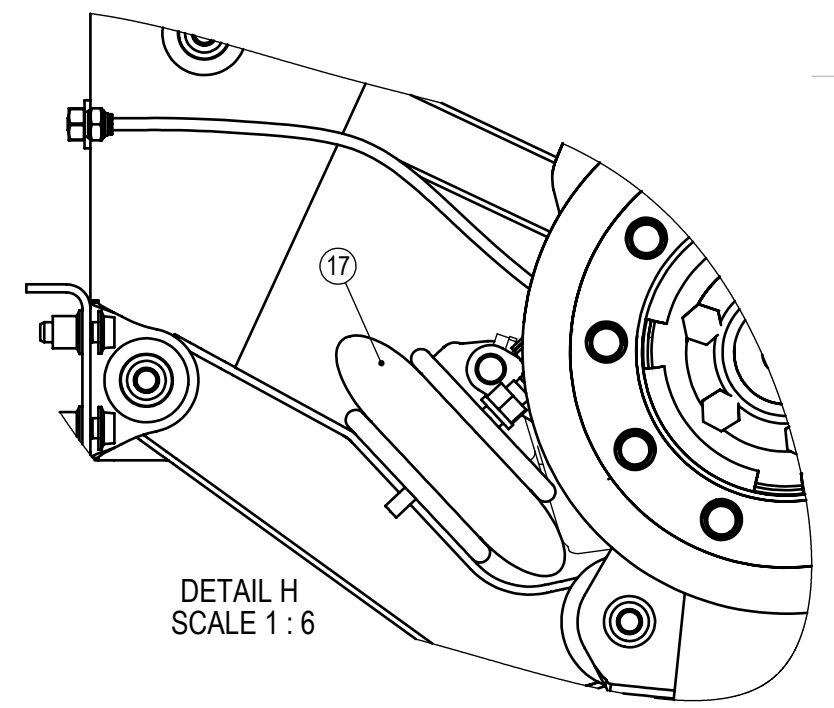
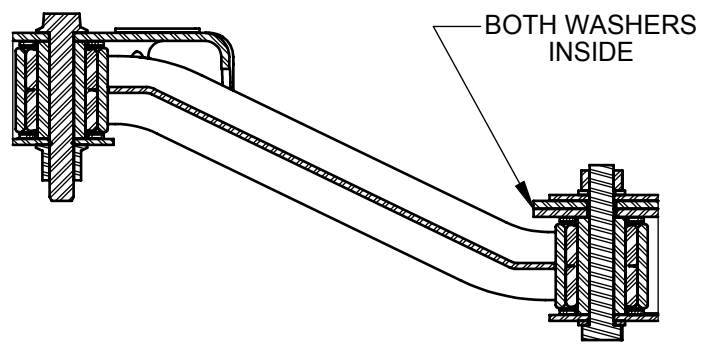
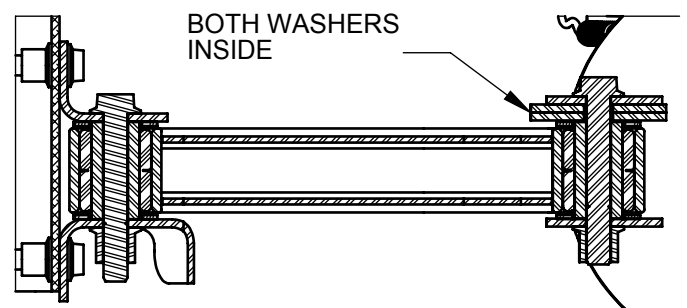
**33.50"  
FRAME WIDTH**



**34.00"  
FRAME WIDTH**



**34.50" & 35.00"  
FRAME WIDTHS**



B

B

A

A

ALL WATSON AND CHALIN INTELLECTUAL PROPERTY & PROPRIETARY INFORMATION IS PROTECTED BY U.S. & INTERNATIONAL COPYRIGHT LAWS. ANY USE WITHOUT THE EXPRESS WRITTEN PERMISSION OF WATSON AND CHALIN IS PROHIBITED.	<b>SPECIAL CHARACTERISTICS SYMBOL LEGEND</b> >X.XX< W/C CRITICAL DIM FOR REFERENCE ONLY **X.XX DESIGNATES A ±.125 TOL. *X.XX DESIGNATES A KEY CUSTOMER CHARACTERISTIC	UNLESS OTHERWISE SPECIFIED DIM ARE IN INCHES TOL ON ANGLES ± 1.0° X.X±.1 X.XX±.06 X.XXX±.030 INTERPRET DIM AND TOL PER ASME Y14.5-2009	THIRD ANGLE PROJECTION 	<b>SUSPENSION MODEL:</b> SL1195SSR	<b>WEIGHT:</b>	<b>SCALE</b> 1:10	<b>WATSON AND CHALIN MANUFACTURING INC</b> 725 EAST UNIVERSITY DRIVE MCKINNEY TEXAS 75069	
				<b>DATE:</b> 7/11/2012	<b>DRAWN BY:</b> HDH	<b>SIZE</b> B	<b>SHEET</b> 2 OF 3	<b>TITLE</b> SL1195SSR ASSEMBLY FRAME WIDTH SECTIONS

4

3

2

1

# MODEL NO. S1195 AA SS BB C DD EE FF G H J

HUB & DRUM CODE				
AA	HUB MOUNTING	HUB TYPE	LEFT HAND	RIGHT HAND
65	10 STUD - 11.25 B.C. - STUD PILOT	IRON	18229A	18230A
66	10 STUD - 11.25 B.C. - HUB PILOT FOR 19.5" WHEELS	IRON	18256A	18256A
68	10 STUD - 11.25 B.C. - HUB PILOT	IRON	18228A	18228A
69	10 STUD - 11.25 B.C. - HUB PILOT	ALUMINUM	18216A	18216A
73	6 SPOKE 20"/22.5"	IRON	18209A	18209A
78	8 STUD - 275mm B.C. - HUB PILOT	ALUMINUM	18212A	18212A
SP	SPECIAL APPLICATIONS NOT YET DETERMINED			

CROSSMEMBER HARDWARE PACK		
J	TYPE	ITEM #9
1	HUCKS	HPCM16091
2	CAPSCREWS/NUTS	HPCM16084

PIVOT CONNECTION HARDWARE			
H	TYPE	ITEM #19	ITEM #33
A	HUCKS	HPPT1191-01	HPHK19631X8
B	CAPSCREWS/NUTS	HPPT1190CS-01	N/A

RUN HEIGHT CODE														
BB	MODEL NUMBER	DWG NUMBER	ITEM #13	ITEM #14	ITEM #26	DIM A		UP		RUN		DOWN		DIM C DRIVE SHAFT CLEARANCE
						BAG PLATE HEIGHT	WITH .19 BUMPER DEFLECTION	BUMPER CONTACT	DIM B	RUN RANGE	DIM B RANGE		DIM B	
10	N/A													
11	N/A													
12	SL1195XX X-12	SL1195SSR-2	950246-13	950246-23	HPLT021	3.00	2.81	3.00	21.41	8.00 - 12.00	21.47 - 20.44	15.00	18.89	7.65
13	SL1195XX X-13	SL1195SSR-3	950246-14	950246-24	HPLT022	4.00	3.81	4.00	21.55	9.00 - 13.00	21.30 - 20.00	16.00	18.18	8.65
14	SL1195XX X-14	SL1195SSR-4	950246-15	950246-25	HPLT022	5.00	4.81	5.00	21.63	10.00 - 14.00	21.07 - 19.49	17.00	17.36	9.65
SP	SPECIAL APPLICATIONS NOT YET DETERMINED													

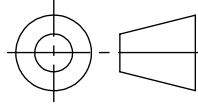
CONTROL PANEL CODE			
G	TYPE	PANEL	VALVE
0	NO CONTROL PANEL	N/A	N/A
1	CONTROL PANEL W/12V SOLENOID	990138	INC. PANEL
2	CONTROL PANEL WITH SEPARATE PUSH/PULL	990099	17523-01
3	CONTROL PANEL WITH INTEGRATED PUSH/PULL	990022	INC. PANEL
4	NO CONTROL PANEL; WITH 12V SOLENOID AND REGULATOR W/O REGULATOR	N/A	990251
6	NO CONTROL PANEL; WITH 12V SOLENOID AND REGULATOR W/O RELAY IN WEATHER PROOF BOX	N/A	990251-02
7	CONTROL PANEL WITH 5-PORT SOLENOID W/RELAY	990138-01	INC. PANEL

ARM CODE				
C	ARM TYPE	ITEM #3	ITEM #4	ITEM #5
S	STEEL	930349	930350	930350
A	ALUMINUM	930353	TBD	TBD

FRAME WIDTH CODE			
DD	FRAME WIDTH	ITEM #7	ITEM #8
35	33.50	160123	91250-01
40	34.00		91250
45	34.50		91250-02
50	35.00	160123-01	91250-03

LOCK-OUT CODE		
EE	TYPE	ITEM #27
00	NO STEER LOCK-OUT	N/A
01	V-BAR STEER LOCK-OUT	980161-04

PLUMBING CODE				
FF	TYPE	ITEM #1	ITEM #2	PLUMBING KIT
00	NO PPAK (PRE-PLUMBED AIR KIT) - STD UPPER BAG PLATE			N/A
01	NO PPAK (PRE-PLUMBED AIR KIT) - UPPER BAG PLATE WITH COUPLER	920853-11	920853-21	N/A
12	PRE-PLUMBED WITH STEEL TANK INSTALLED - NO CONTROLS			PPAK50-00-05
13	PRE-PLUMBED WITH CONTROLS, WITH STEEL TANK INSTALLED, W/O REGULATOR OR GAUGE - (CAN ONLY BE USED WITH OPTIONS "0" IN CONTROL PANEL OPTIONS)	920853-13	920853-23	PPAK250-0090
14	PRE-PLUMBED WITH CONTROLS, WITH STEEL TANK INSTALLED, WITH REGULATOR AND GAUGE - (CAN ONLY BE USED WITH OPTION "0" IN CONTROL PANEL OPTIONS)			PPAK250-0190
15	PRE-PLUMBED WITH CONTROLS, WITH STEEL TANK INSTALLED, WITH REGULATOR, GAUGE AND CONTROL PANEL-(CAN ONLY BE USED WITH OPTION "0" IN CONTROL PANEL OPTIONS)			PPAK250-0290
16	PRE-PLUMBED WITH STEEL TANK INSTALLED w/ 990251-01 CONTROLS	920853-11	920853-21	PPAK50-05-05
17	PRE-PLUMBED WITH CONTROLS, WITH STEEL TANK INSTALLED, WITH SOLENOID, WITH RATIO VALVE	920583-12	920583-21	PPAK124
18	PRE-PLUMBED WITH CONTROLS, WITH STEEL TANK INSTALLED, WITH SOLENOID, GAUGE IN WEATHER BOX & RELAY SWITCH-(CAN ONLY BE USED WITH OPTION "0" IN CONTROL PANEL OPTIONS)	920583-11	920583-21	PPAK50-09-05

ALL WATSON AND CHALIN INTELLECTUAL PROPERTY & PROPRIETARY INFORMATION IS PROTECTED BY U.S. & INTERNATIONAL COPYRIGHT LAWS. ANY USE WITHOUT THE EXPRESS WRITTEN PERMISSION OF WATSON AND CHALIN IS PROHIBITED.	<b>SPECIAL CHARACTERISTICS SYMBOL LEGEND</b> >X.XX< W/C CRITICAL DIM (X.XX) FOR REFERENCE ONLY **X.XX DESIGNATES A ±.125 TOL. *X.XX DESIGNATES A KEY CUSTOMER CHARACTERISTIC	UNLESS OTHERWISE SPECIFIED DIM ARE IN INCHES TOL ON ANGLES ± 1.0° X.X ± .1 X.XX ± .06 X.XXX ± .030 INTERPRET DIM AND TOL PER ASME Y14.5-2009	THIRD ANGLE PROJECTION 	SUSPENSION MODEL: SL1195SSR	WEIGHT: DATE: 7/11/2012	SCALE: 1:10	<b>WATSON AND CHALIN MANUFACTURING INC</b> 725 EAST UNIVERSITY DRIVE MCKINNEY TEXAS 75069
					DRAWN BY: HDH	SIZE: B	SHEET: 3 OF 3