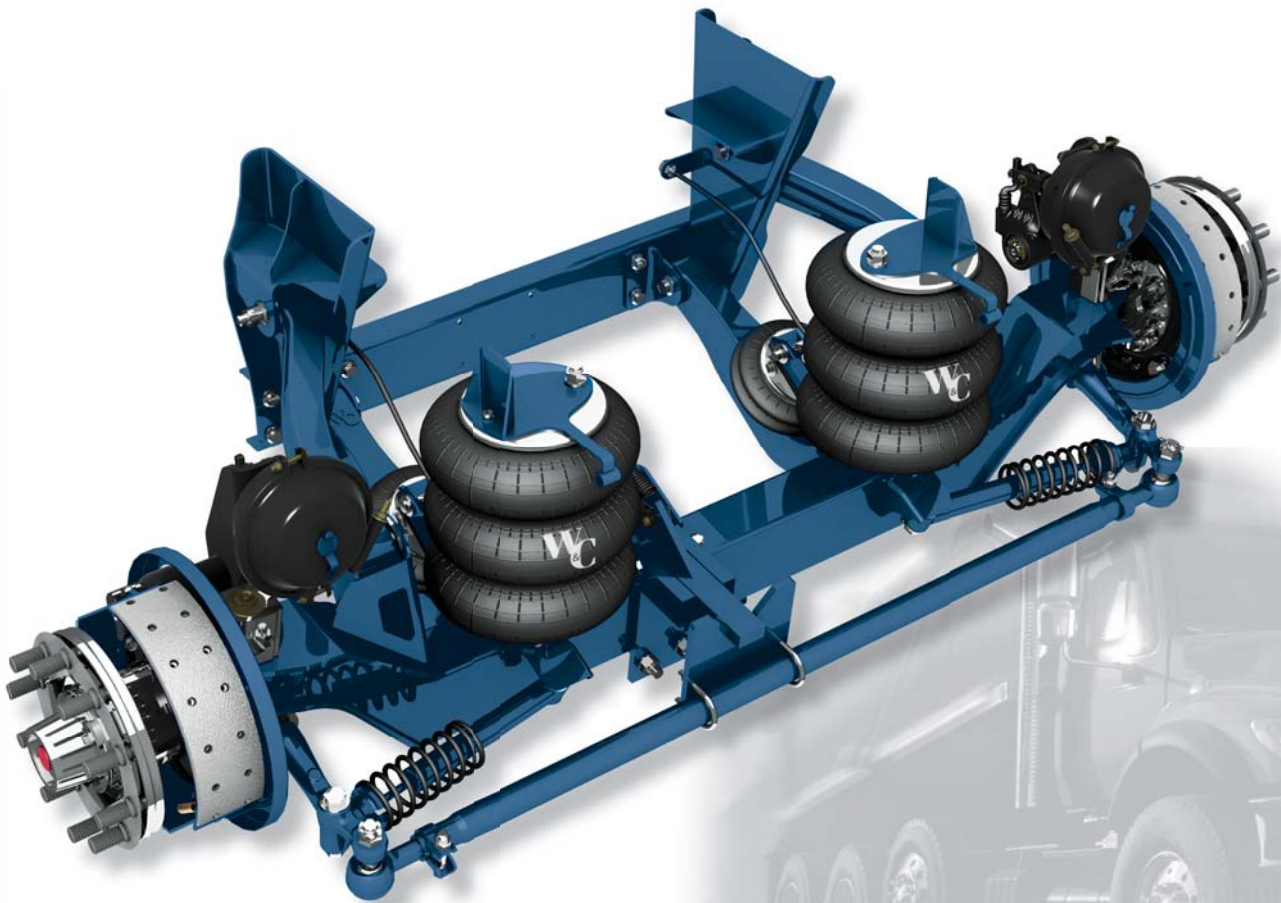


TRU-TRACK ALUMILITE

SELF-STEERING AXLE AND LIFT SUSPENSION SYSTEM

SL SERIES



SL-1190

The **SL-1190 Tru-Track Alumilite**, with a capacity rating up to 13,500 pounds, is our most popular capacity steerable model incorporating our "quick-change ride height system". The SL-1190 is ideal for dump, mixer, refuse and heavy-haul applications. It is lightweight yet durable utilizing Huck fasteners at the pivot points. Our Super Short Rail version (SSR) offers a more compact mounting design when space requirements become critical. All Tru-Track lift axles are backed by our 5-year limited warranty*.

- 13,500 lb. suspension capacity
- Compact packaging design of 22.1 inches - SSR
- Ride heights 7 thru 16 in.
- Maintenance-free Huck fasteners
- Quick-change ride height system
- 5-year limited warranty*

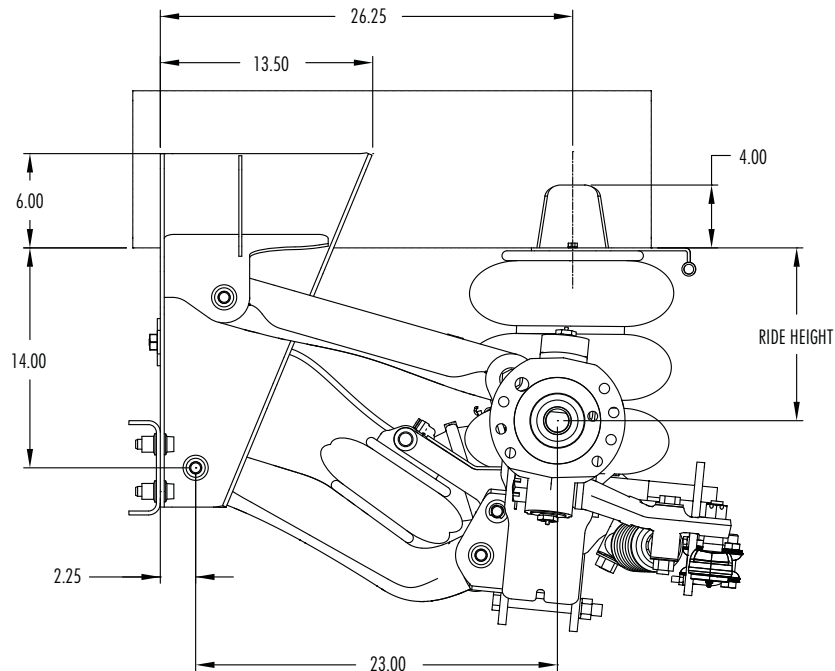
* Contact your local Watson & Chalin representative for complete warranty terms, conditions and limitations.

Delivering Suspension Solutions



For more information, call 800.445.0736

Integrated Suspension and Axle Assembly



SL-1190 Specifications

Capacity:	13,500 pounds
Weight:	1,327 pounds
Travel:	13.5 inches
Lift:	Up to 11 inches
Ride Heights:	6 to 16 inches
Wheel Cut:	25 degrees
Packaging Space:	26.5 inches

- Fabricated axle — industry components
- Quick-change ride height system
- Reverse lock-out kit available
- Preset caster
- Parallelogram design
- Factory pre-plumbing available

Contact Watson & Chalin at 972.547.6020 for additional information.



Watson & Chalin Manufacturing Inc.
 725 E. University Drive, McKinney, Texas 75069
 972.547.6020 • 800.445.0736 • Fax 972.542.0097
www.watsonsuspensions.com

