

COMPOSILITE™ SC Steerable Lift Axles

- Winning reputation
- Optimum performance
- Reliability
- Leading innovation
- Durability



To learn more about COMPOSILITE™ SC,
call 800.660.2829 or visit
www.hendrickson-intl.com

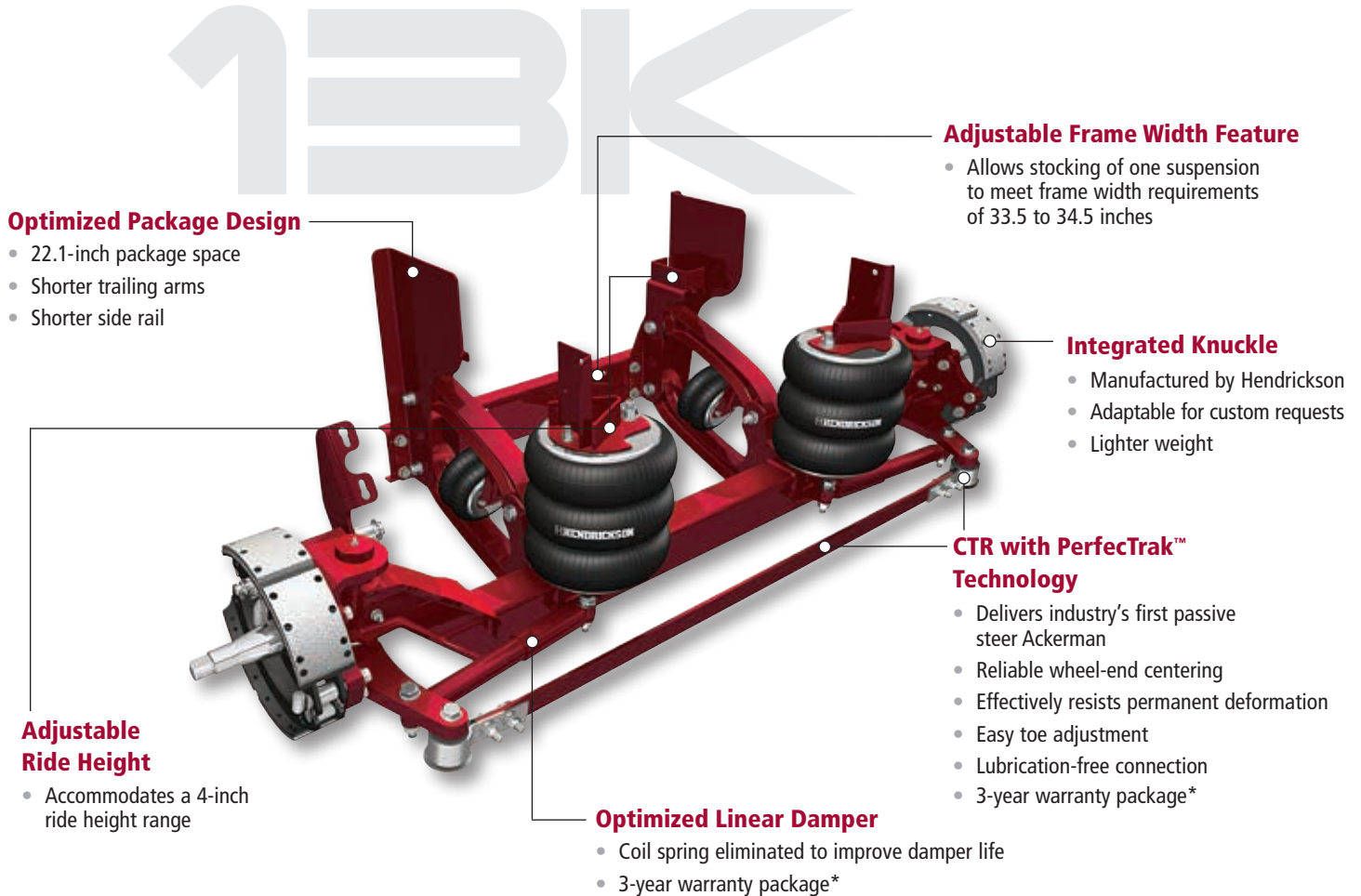
 **HENDRICKSON**
The World Rides On Us®

COMPOSILITE™ SC

Hendrickson introduces the COMPOSILITE™ SC family of lift axles for steerable applications. The “Steerable Compliant” series of lift axles delivers all the advantages haulers have come to expect with Hendrickson products: reliability, cost-effectiveness and innovation. The COMPOSILITE family offers a full range of capacities from 10,000 to 20,000 pounds.

The SCT13, our most popular capacity offering, is rated at 13,500 pounds and now offers a reduced system weight up to 69 pounds per axle and a minimized package space of 22.1 inches. Hendrickson has taken tie rod technology one step further by introducing the patent pending Compliant Tie Rod (CTR) with PerfectTrak™ technology...the first compliant tie rod assembly and dampening system. This technology was designed to help lower maintenance costs and increase uptime by providing a resilient, impact resistant tie rod assembly.

13K Steerable Lift Axle System



Optimized Package Design

- 22.1-inch package space
- Shorter trailing arms
- Shorter side rail

Adjustable Frame Width Feature

- Allows stocking of one suspension to meet frame width requirements of 33.5 to 34.5 inches

Integrated Knuckle

- Manufactured by Hendrickson
- Adaptable for custom requests
- Lighter weight

CTR with PerfectTrak™ Technology

- Delivers industry's first passive steer Ackerman
- Reliable wheel-end centering
- Effectively resists permanent deformation
- Easy toe adjustment
- Lubrication-free connection
- 3-year warranty package*

Adjustable Ride Height

- Accommodates a 4-inch ride height range

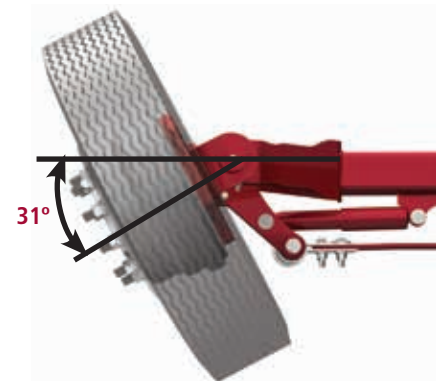
Optimized Linear Damper

- Coil spring eliminated to improve damper life
- 3-year warranty package*

COMPOSILITE™ SCT13 Specifications

Capacity:	Up to 13,500 pounds
Weight:	796 pounds
Travel:	13 inches
Lift:	10 inches
Wheel Cut:	31 degrees
Packaging Space:	22.1 inches

COMPOSILITE™ SC Steerable Turning Angle

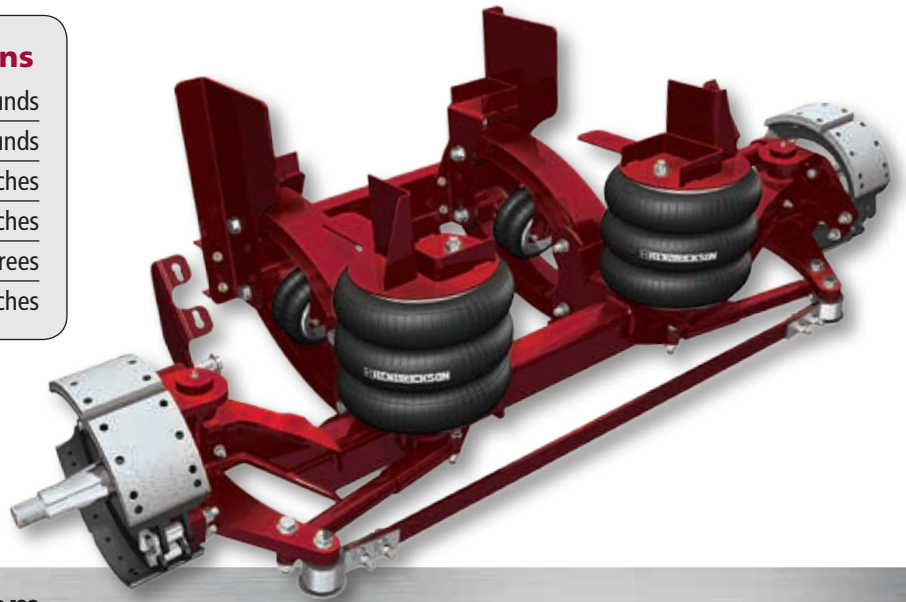


* Contact Hendrickson for complete warranty terms, conditions and limitations.

Hendrickson's Family of

COMPOSILITE™ SCT20 Specifications

Capacity:	Up to 20,000 pounds
Weight:	1,340 pounds
Travel:	12 inches
Lift:	9 inches
Wheel Cut:	25 degrees
Packaging Space:	26.5 inches



20K Steerable Lift Axle System

20K



SCT10 and SCT20 Features

- Optimized package design
- Adjustable frame width and ride height feature
- Integrated knuckle
- 24 pound weight savings on SCT10 and 35 pound weight savings on SCT20 compared to prior models
- CTR with PerfectTrak™ technology

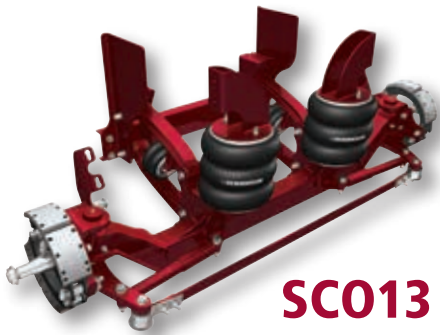
10K Steerable Lift Axle System

COMPOSILITE™ SCT10 Specifications

Capacity:	Up to 10,000 pounds
Weight:	675 pounds
Travel:	13 inches
Lift:	10 inches
Wheel Cut:	31 degrees
Packaging Space:	22.1 inches

10K

Steerable Lift Axles



SC013



SC020

COMPOSITELITE™ SCO Roll-Off Specifications

	SC013	SC020
Capacity:	Up to 13,500 pounds	Up to 20,000 pounds
Weight:	851 pounds	1,357 pounds
Travel:	13 inches	12 inches
Lift:	10 inches	9 inches
Wheel Cut:	31 degrees	25 degrees
Packaging Space:	22.1 inches	26.5 inches

SCO Features

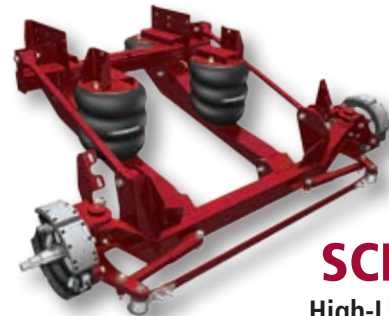
- Scalloped hangers improve clearance around the cylinder
- Inboard-mounted ride springs provide additional clearance from the cylinder
- Air spring plate mounts inside the frame rail
- Adjustable frame width and ride height feature
- Integrated knuckle
- CTR with PerfectTrak™ technology



SCR13
Reverse Steer

COMPOSITELITE™ SCR13 Specifications

Capacity:	Up to 13,500 pounds
Weight:	1,029 pounds
Travel:	13.5 inches
Lift:	7 inches
Wheel Cut:	27 degrees
Packaging Space:	28.4 inches



SCH10
High-Lift Steer

COMPOSITELITE™ SCH10 Specifications

Capacity:	Up to 10,000 pounds
Weight:	1,133 pounds
Travel:	Up to 24 inches
Lift:	Up to 20 inches
Wheel Cut:	27 degrees
Packaging Space:	54 inches

SCR and SCH Features

- CTR with PerfectTrak™ technology
- Fabricated knuckle with integrated brake

PerfecTrak™ Technology

The First Compliant Tie Rod (CTR) Assembly and Dampening System

Features and Benefits

- Delivers industry's first passive steer Ackerman effectively controlling the relationship between inside wheel-turn angle and outside wheel-turn angle
- 31-degrees of inside wheel cut
- Eccentric adjustment simplifies the toe setting process
- Natural rubber tie rod ends, designed for reliable use on heavy trucks, eliminates greasing of assembly
- Self-centering achieved with the CTR eliminates service issues with coil-over damper
- Minimizes chances of buckled tie rods due to road strikes
- Uses new steering damper design to optimize road feel for lift axle use
- The CTR system comes with a 3-year warranty* package, fully backed by Hendrickson



Product video available at http://youtu.be/O-oBdo61_5w

**Contact Hendrickson for complete warranty terms, conditions and limitations.*

SC Product Family Features and Benefits

Feature

- **Adjustable Frame Width**
 - Zero spacers = 33.5-inch frame width
 - One spacer per side = 34.0-inch frame width
 - Two spacers per side = 34.5-inch frame width
 - Design allows for adjustment with no disassembly
- **Adjustable Ride Height**
 - Suspension travel combined with adjustable spacers allows for a ride height range of four inches
 - Spacer tubing slotted to fit properly into place

Benefit

- Allows stocking of one part number for multiple applications and easier installation

Feature

- Fabricated knuckle and integrated brake

Benefit

- Reduces overall weight of suspension and allows for Ackerman customization

Feature

- SCT10, SCT13 and SCO13 offer a 31-degree wheel cut

Benefit

- Helps prevent tire scrub

Feature

- SCT10 and SCT13 truck mounts provide a 22.1-inch package space from spindle centerline to front face of hanger
- Hanger design—Suspensions fit flat to the frame to allow for maximum clearance

Benefit

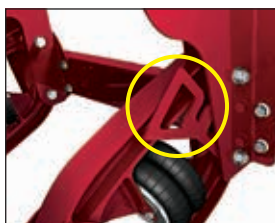
- Allows for easier installation

Feature

- Draw key kingpin design

Benefit

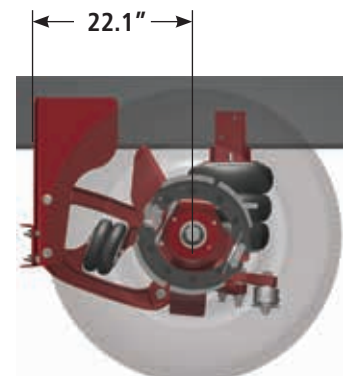
- Easier to service



Adjustable frame width and ride height



Adjustable ride height spacers



Package space

COMPOSILITE™ Steerable Lift Axle Specifications

MODEL	MAXIMUM CAPACITY (lbs.)	APPLICATION WEIGHT (lbs.)		RIDE HEIGHTS (inches +/- 1")
		Truck	Trailer (SCW)	
SCT10	10,000	675	664	12.5 – 20.5
SCT13	13,500	796	785	8.5 – 18.5
SCT20	20,000	1,340	1,315	9.5 – 13.5
SCO13	13,500	856	N/A	8.5 – 18.5
SCO20	20,000	1,326	N/A	9.5 – 13.5
SCH10	10,000	1,133	N/A	10.5 – 20.5
SCR13	13,500	1,029	N/A	9.5 – 15.0

Value-Added Features/Options

Hendrickson offers a variety of value-added options to help increase productivity for the end user operating a lift axle

Easy Toe Adjustment Tie Rod Feature — Toe adjustment can be done faster and from either end of the tie rod assembly



Easy Toe Adjustment

Lock Straight — Locks suspension straight when vehicle is placed in reverse or raised



Lock Straight

Pre-Plumbed — Integrated air system reduces installation time through pre-located air tank, hoses and valves

Trailer Mount Products — All SCT models available in weld-on and bolt-on versions for trailer applications

Air Control Systems

- Compact size reduces amount of space required to mount controls
- Fewer fittings reduce system leak potential
- Higher airflow delivers better response when air controls are activated
- Color-coded connections provide easy identification and reduce installation time
- Inside-the-cab and outside-the-cab models available



Pre-Plumbed System



Auxiliary Axle Systems
is TS-16949 Registered

Call Hendrickson at **800.660.2829** or **800.668.5360** in Canada for additional information and application specifications.



www.hendrickson-intl.com

SPECIALTY PRODUCTS - AUXILIARY AXLE SYSTEMS

277 North High Street
Hebron, OH 43025 USA
800.660.2829
740.929.5600 • Fax 740.929.5601

Hendrickson Canada

250 Chrysler Drive, Unit #3
Brampton, ON Canada L6S 6B6
800.668.5360
905.789.1030 • Fax 905.789.1033