

RUGGED RELIABILITY IN

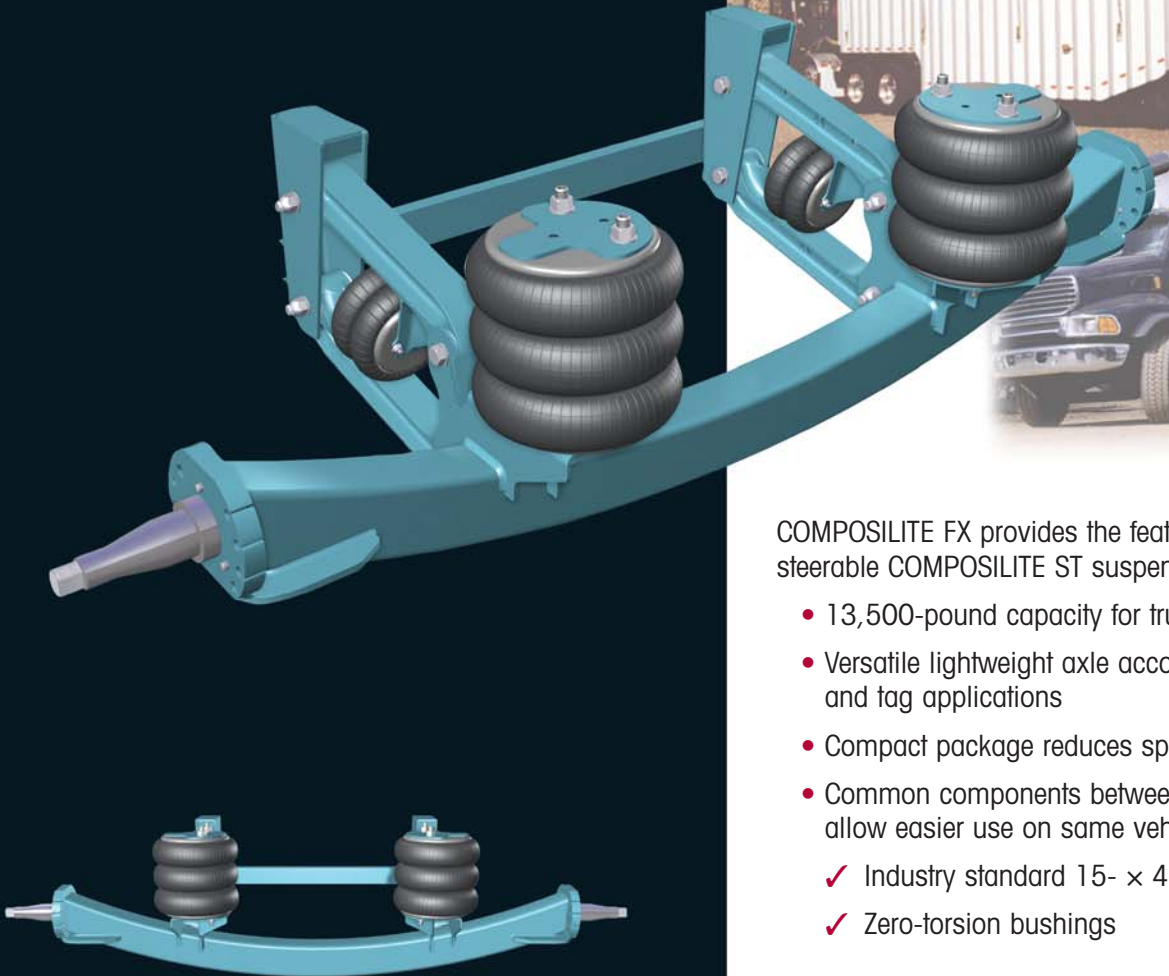
A COMPACT DESIGN

H **COMPOSILITE™ FX**

Fixed-axle suspension system

**COMPOSILITE™ FX provides big performance
in a compact, lightweight design**

COMPOSILITE™ FX maintains the rugged reliability you've come to expect from Hendrickson, while reducing weight to less than 850 pounds.



COMPOSILITE FX provides the features and benefits of the steerable COMPOSILITE ST suspension system.

- 13,500-pound capacity for truck and trailer applications
- Versatile lightweight axle accommodates both pusher and tag applications
- Compact package reduces space needed for operation
- Common components between the FX and ST model allow easier use on same vehicle
- ✓ Industry standard 15- x 4-inch brakes
- ✓ Zero-torsion bushings

**Call your dealer or Hendrickson toll free at
800-660-2829 or 800-660-2843.**

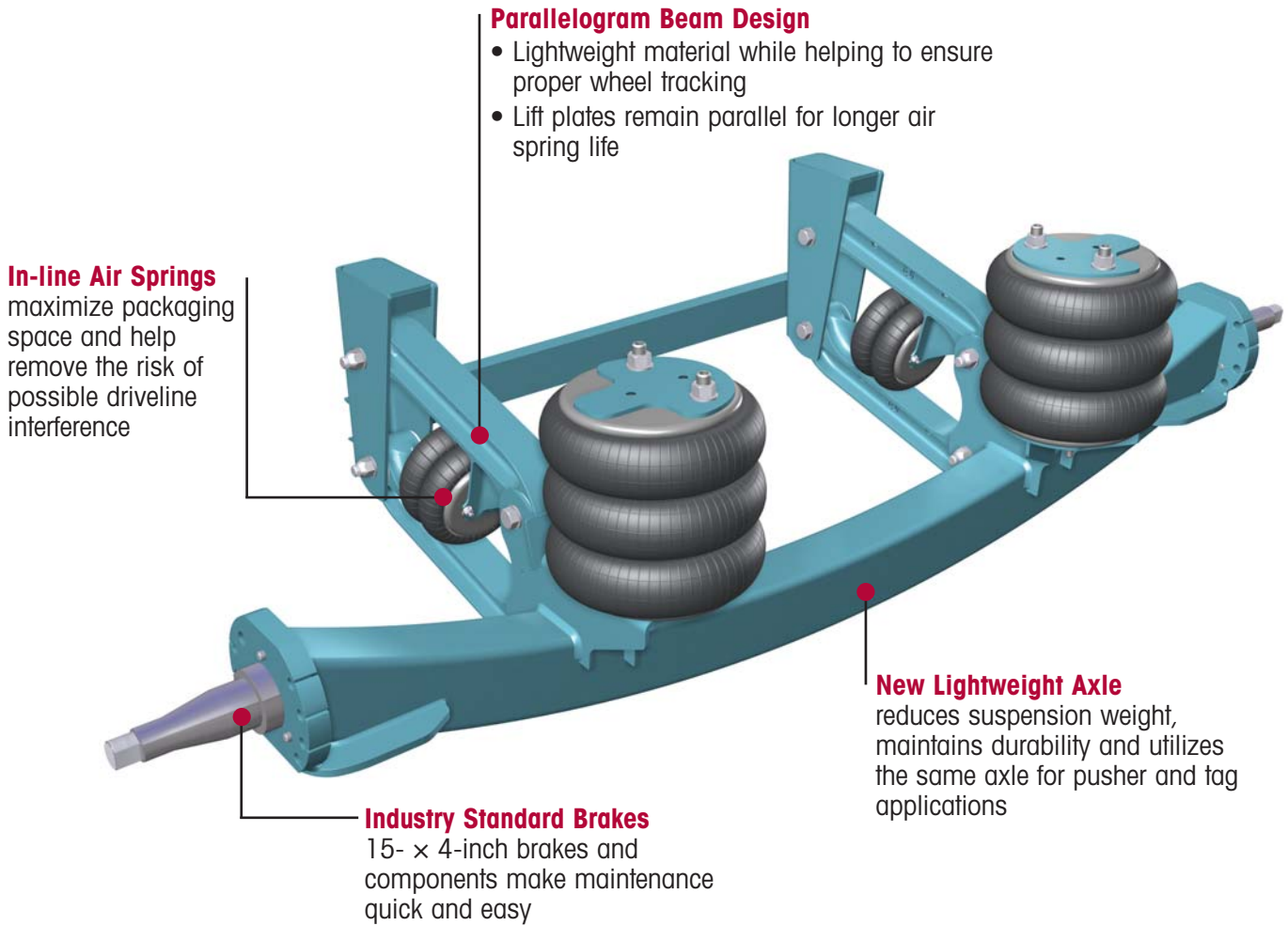
Visit our web site at www.hendrickson-intl.com

For The Road Ahead™

H **HENDRICKSON**

COMPOSILITE™ FX Specifications

	Truck	Trailer
Suspension Capacities	13,500 lbs.	13,500 lbs.
Weight	825 lbs.	800 lbs.
Axle Type	Lightweight fixed axle	
Application	Pusher or tag position	
Total Axle Travel	13.5 inches with 10 inches of lift	
Packaging Space	23.5 inches from front edge of hanger to centerline of axle	
Wheel Cut	28 degrees	
Brakes	15- x 4-inch S-cam	



For further information and application specifications, call 800-660-2829 in the United States or 800-668-5360 in Canada.



Information contained in this literature was accurate at the time of publication. Product changes may have been made after the copyright date that are not reflected.

Auxiliary Axle Systems
277 North High Street
Hebron, OH 43025

740.929.5600
Fax 740.929.5601

www.hendrickson-intl.com

Auxiliary Axle Systems
250 Chrysler Drive, Unit #3
Brampton, ON L6S 6B6 Canada

905.789.1030
Fax 905.789.1033

The Boler Company.
Copyright © 2004
All Rights Reserved