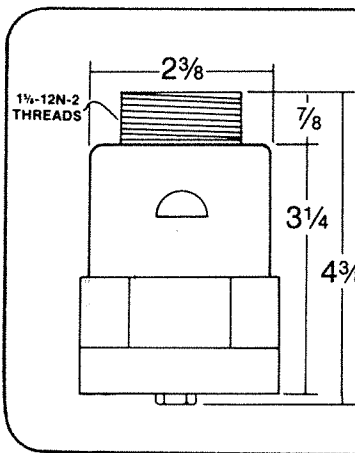


Tiona® PPV PRESSURE VACUUM VENT



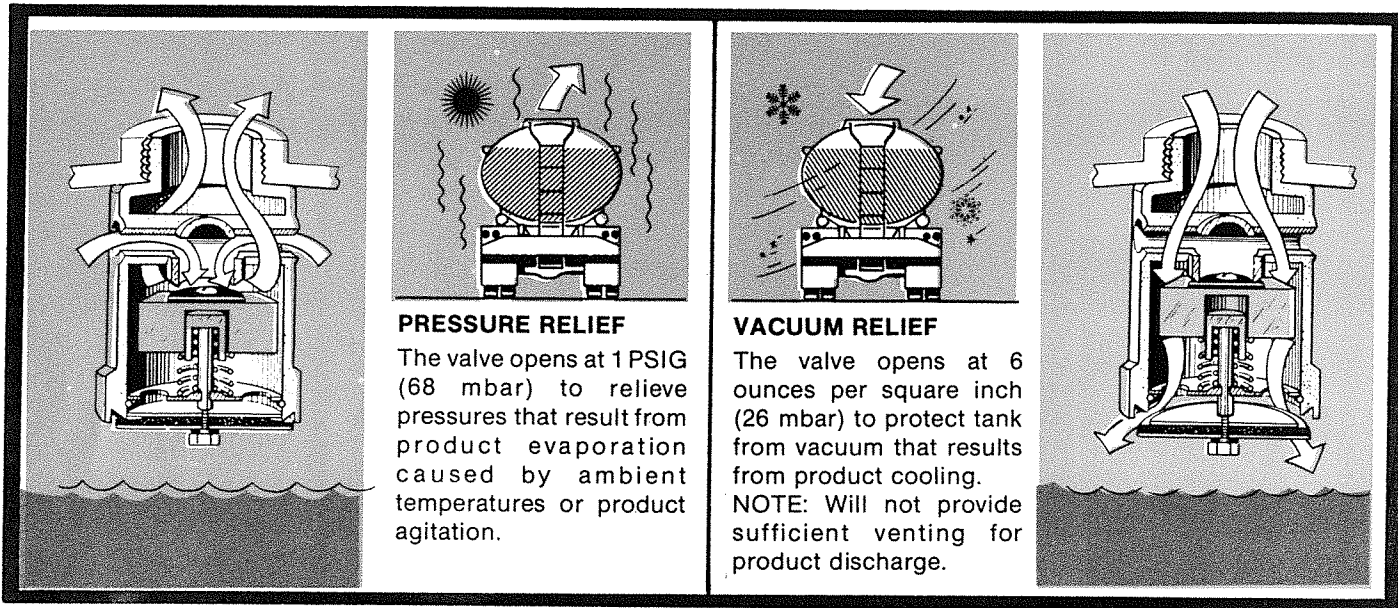
SPECIFICATIONS

PART NO: 6238AL

RATING

- Intake: 3350 cu. ft. per hour at 1 PSI.
- Exhaust: 1750 cu. ft. per hour at 3 PSI.
- Aluminum body with stainless trim is standard.

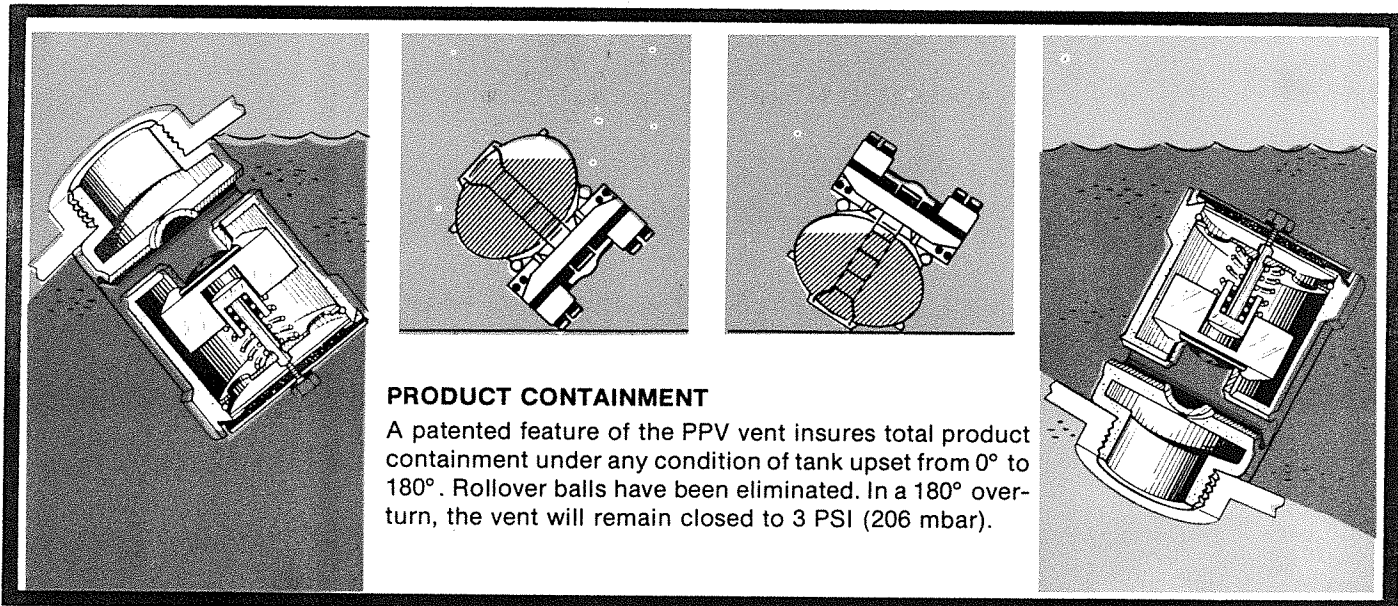
NORMAL VENTING CONTROL



PRESSURE RELIEF
The valve opens at 1 PSI (68 mbar) to relieve pressures that result from product evaporation caused by ambient temperatures or product agitation.

VACUUM RELIEF
The valve opens at 6 ounces per square inch (26 mbar) to protect tank from vacuum that results from product cooling.
NOTE: Will not provide sufficient venting for product discharge.

OVERTURN PROTECTION CONTROL



PRODUCT CONTAINMENT
A patented feature of the PPV vent insures total product containment under any condition of tank upset from 0° to 180°. Rollover balls have been eliminated. In a 180° overturn, the vent will remain closed to 3 PSI (206 mbar).

Betts
INDUSTRIES INC.

WARREN, PENNSYLVANIA 16365

TEL. 814/723-1250
FAX 814/723-7030
E-MAIL info@bettsind.com
www.bettsind.com

PRINTED IN U.S.A.